

QUICK SETUP

Model : TX-SR307



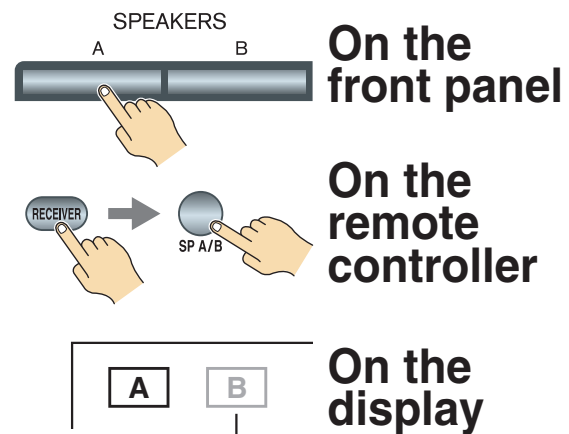
Thank you for purchasing this product. This quick setup sheet shows the typical hookup method for connecting speakers and AV components (DVD/BD player, TV, cable/satellite receiver). For more detailed hookup information and operating instructions, please see the Instruction Manual.

First of all, turn on speaker set A.

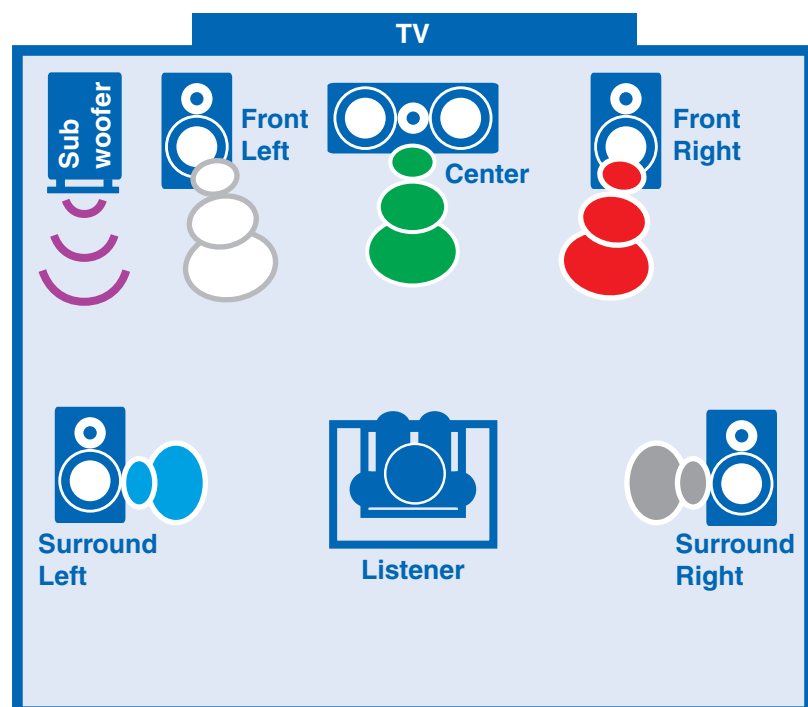
Press the SPEAKERS [A] button on the front panel. Make sure that speaker indicator A is shown on the display.

Press the [RECEIVER] button, and then press the remote controller's [SP A/B] button repeatedly to select speaker set A. Make sure that speaker indicator A is shown on the display.

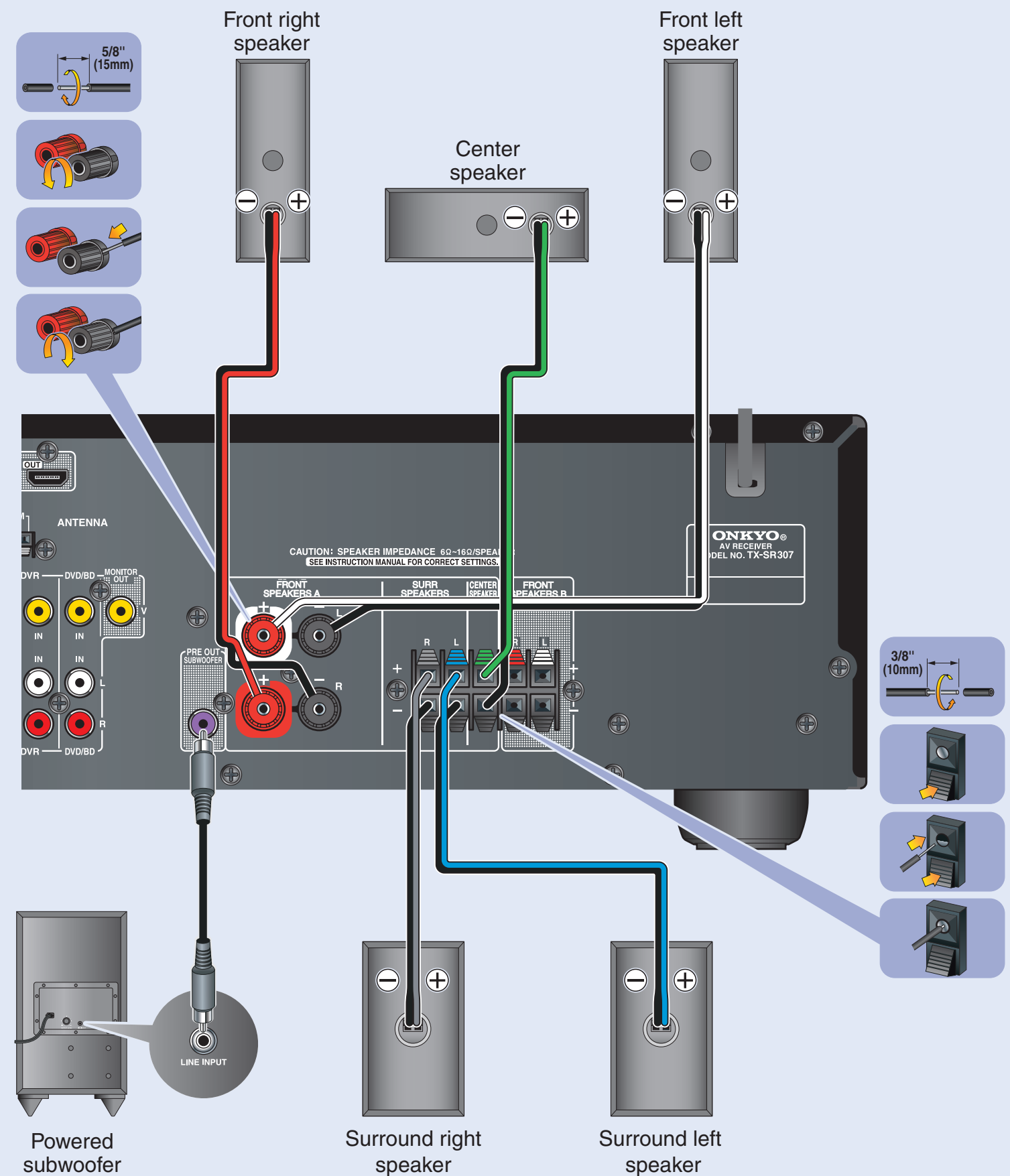
Turn off speaker set B when not in use. Indicator should be off.



Speaker Set A Layout (Main Room)



Speaker Set A Hookup



See the other side of this sheet for the AV component hookup.



AV Component Hookup

See the other side of this sheet for the Speaker hookup.

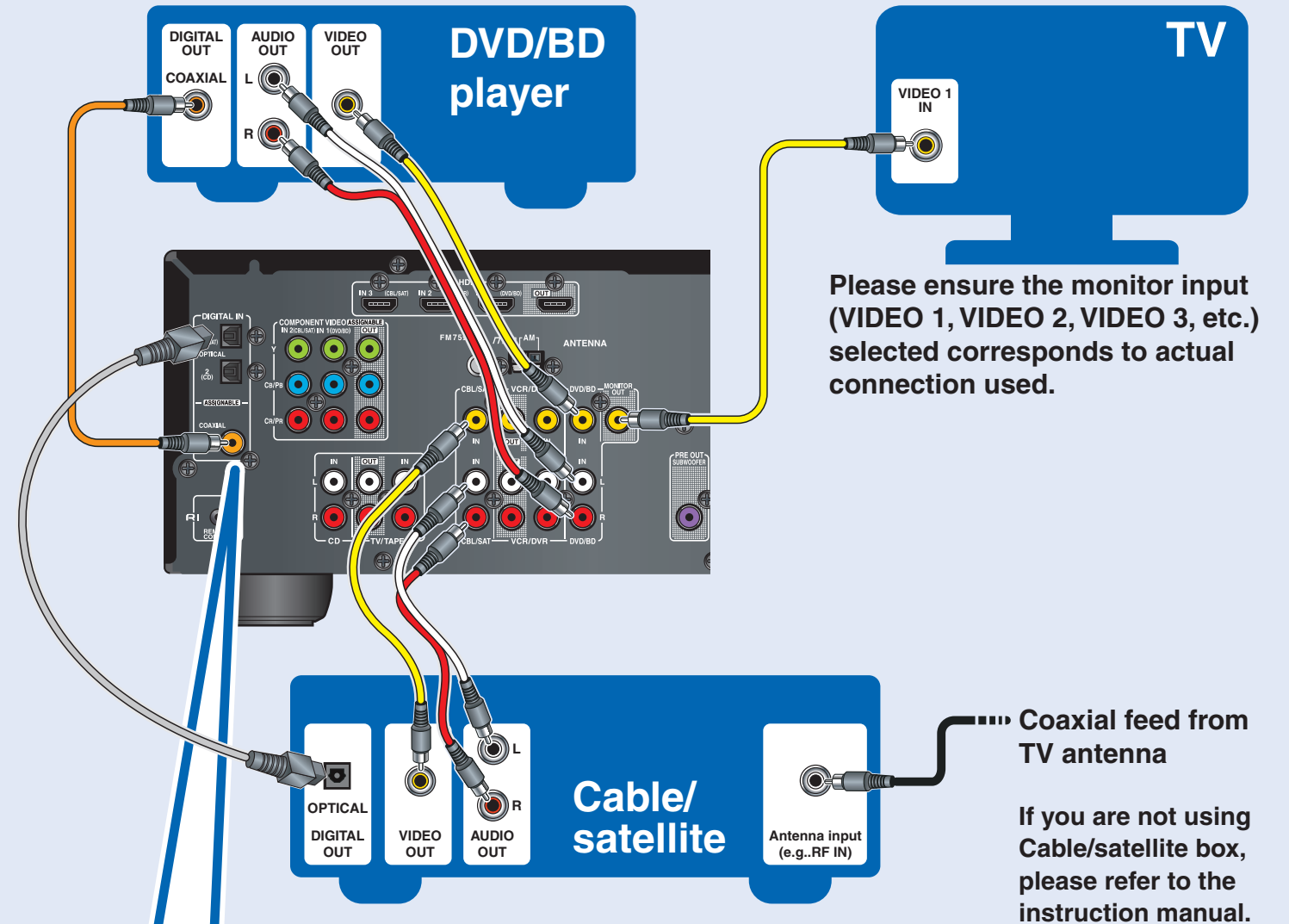
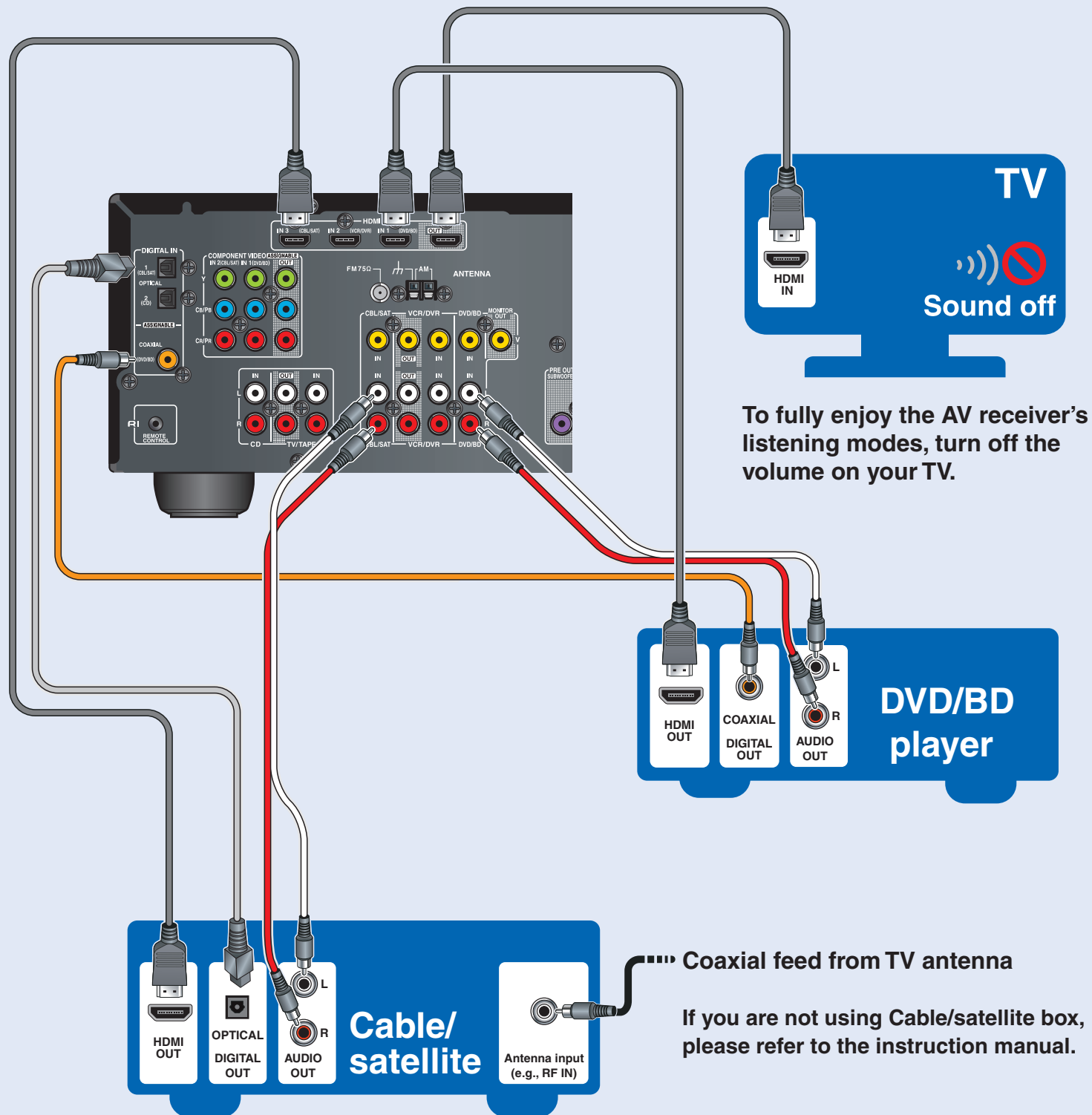


If you have an HDMI-compatible TV and players, you can connect them to the AV receiver with HDMI cables. The audio and video signals received via the HDMI inputs are output by the HDMI OUT as they are (pass-through). To listen through the speakers connected to the AV receiver, please make the audio connections shown below.

IF NO HDMI



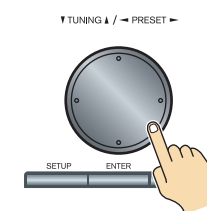
If your TV or player doesn't support HDMI, use the analog or digital connections shown below.



Assigning the Digital Input

If there's no sound, you'll need to assign the digital inputs as necessary using the setup menus on the AV receiver's display. If you connect your DVD/BD player to the AV receiver's COAXIAL DIGITAL IN, and your cable/satellite receiver to the OPTICAL 1 DIGITAL IN, as shown, it's not necessary to assign the digital input.

On the front panel



2. Digital Audio
↓
DVD/BD : COAX